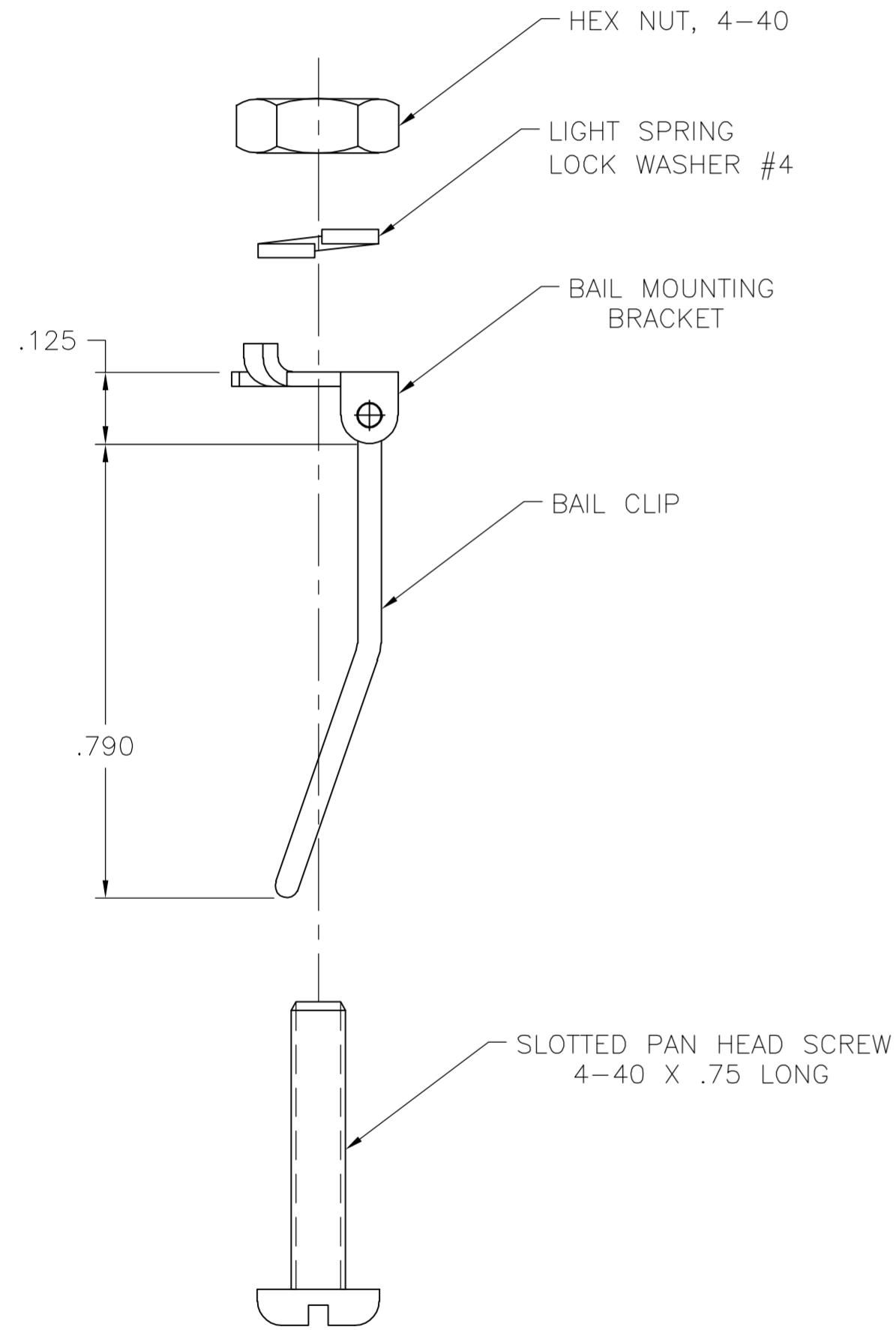


THIS DRAWING IS UNPUBLISHED. RELEASED FOR PUBLICATION
 © COPYRIGHT BY TYCO ELECTRONICS CORPORATION. ALL RIGHTS RESERVED.

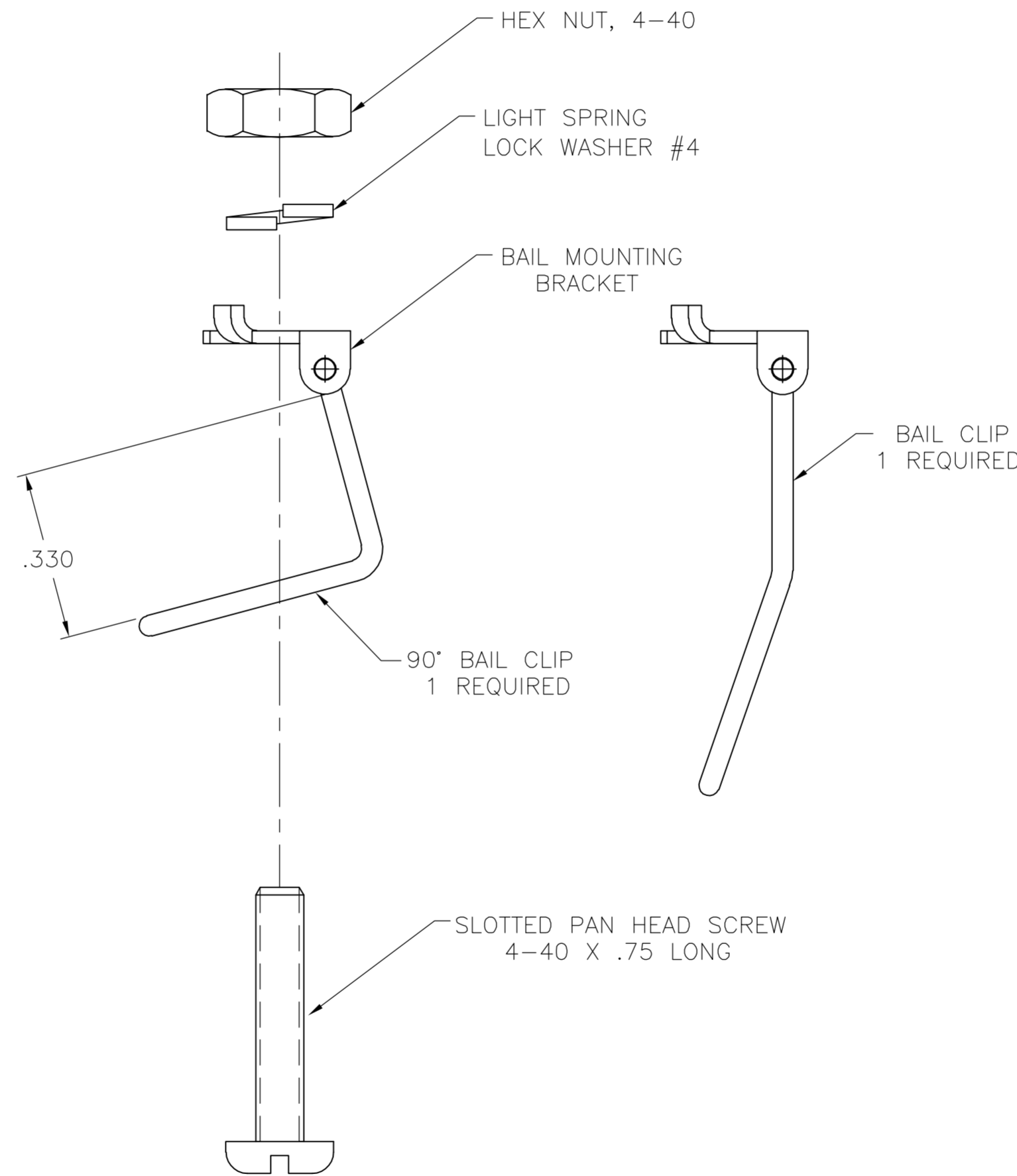
LOC	DIST	REVISIONS			
P	LTR	DESCRIPTION	DATE	DWN	APVD
GP	00	RELEASED PER EC 0513-0288-05	30SEP05	BM	WM

1. ALL DIMENSIONS SHOWN ARE FOR REFERENCE ONLY UNLESS OTHERWISE SPECIFIED.
2. 2 REQUIRED OF EACH COMPONENT PER KIT UNLESS OTHERWISE SPECIFIED.

3 MATERIAL:
 LOCKWASHER: PASSIVATED STAINLESS STEEL
 BAIL CLIPS, PAN HEAD SCREW & HEX NUT: PASSIVATED STAINLESS STEEL.
 MOUNTING BRACKETS: ZINC PLATED STEEL.



KIT P/N 5552562-1
VIEW A



KIT P/N 5552562-2
VIEW B

B	5552562-2
A	5552562-1
VIEW	PART NUMBER

THIS DRAWING IS A CONTROLLED DOCUMENT.		DWN B. MCMASTER	30SEP05	Tyco Electronics Corporation Harrisburg, PA 17105-3608	
DIMENSIONS: INCHES		CHK W. MILLHIMES	30SEP05		
TOLERANCES UNLESS OTHERWISE SPECIFIED:		APVD W. MILLHIMES	30SEP05	NAME HARDWARE KIT, BAIL LOCK, VERTICAL MOUNTING, CHAMP	
0 PLC ± - 1 PLC ± - 2 PLC ± - 3 PLC ± - 4 PLC ± - ANGLES ± -		PRODUCT SPEC APPLICATION SPEC		SIZE A2	CAGE CODE 00779
MATERIAL 3		FINISH 3		DRAWING NO C=5552562	RESTRICTED TO -
CUSTOMER DRAWING				SCALE 4:1	SHEET 1 of 1
				REV 0	